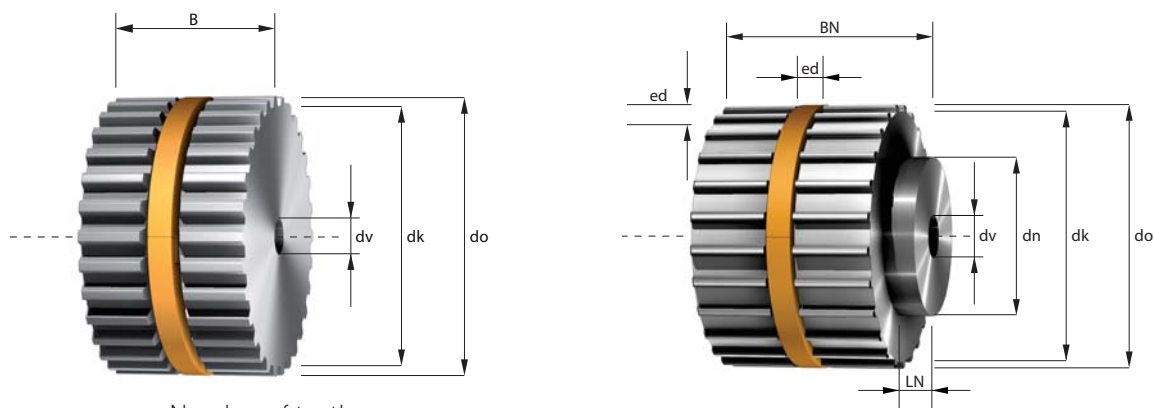


Synchronising pulleys easy drive® HTD-profile



- z = Number of teeth
- dk = Outside diameter
- do = Pitch diameter
- ed = easy drive® groove
- dv = Diameter of pre-bore
- dmax = max. bore diameter without feather key groove
- dh = Hub diameter
- wh = Hub width

Groove base to max. bore diameter min. 3-4 mm wall thickness

Materials: Stock pulleys - aluminium; special pulleys - steel, gray cast iron, plastics
 Stock rings easy drive® - plastic; special rings - aluminium and steel

HTD 3	Belt width = b (mm)	15	20	25	30	50
	Total width = B (mm)	17	22	27	32	52
	Total width with hub = BN (mm)	B + 6,5/10,0 mm				

Starting from z = 23

Min. diameter of the tension rollers without contra-flexure 20 mm, with contra-flexure 20 mm.

HTD 5	Belt width = b (mm)	15	20	25	30	50	75	100	150
	Total width = B (mm)	17	22	27	32	52	77	102	152
	Total width with hub = BN (mm)	B + 5,5/7,5/9,5 mm							

Starting from z = 14

Min. diameter of the tension rollers without contra-flexure 30 mm, with contra-flexure 60 mm.

HTD 8	Belt width = b (mm)	20	25	30	50	85	115	150
	Total width = B (mm)	22	27	32	52	87	117	152
	Total width with hub = BN (mm)	32	37	42	62	97	127	162

Starting from z = 20

Min. diameter of the tension rollers without contra-flexure 60 mm, with contra-flexure 120 mm.

HTD 14	Belt width = b (mm)	40	55	85	115	170
	Total width = B (mm)	42	57	87	117	172
	Total width with hub = BN (mm)	57	72	102	132	187

Starting from z = 28

Min. diameter of the tension rollers without contra-flexure 180 mm, with contra-flexure 200 mm.